

# CGA3E2C0G1H150J080AA

TDK Item Description : CGA3E2C0G1H150JT\*\*\*



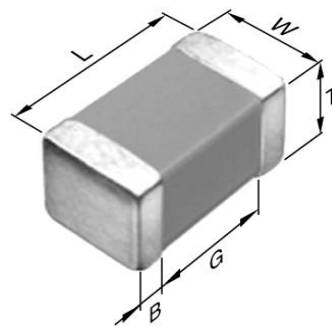
Equivalent C1608C0G1H150J for Automotive

## Application & Main Feature

Automotive Grade ( General (Up to 50V) )

## Series

CGA3(1608) [EIA CC0603]



## Dimensions

L 1.60mm +/-0.1mm  
 W 0.80mm +/-0.1mm  
 T 0.80mm +/-0.1mm  
 B 0.20mm Min.  
 G 0.30mm Min.

## Temperature Characteristic

C0G (-55 to 125 degC 0+/-30ppm/degC)

## Rated Voltage

1H (50Vdc)

## Capacitance

15pF

## Capacitance Tolerance

J (+/-5%)

## Q Factor

700 Min.

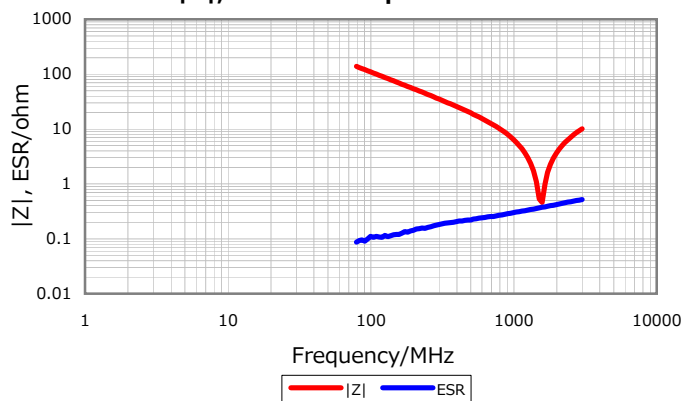
## Insulation Resistance

10Gohm Min.

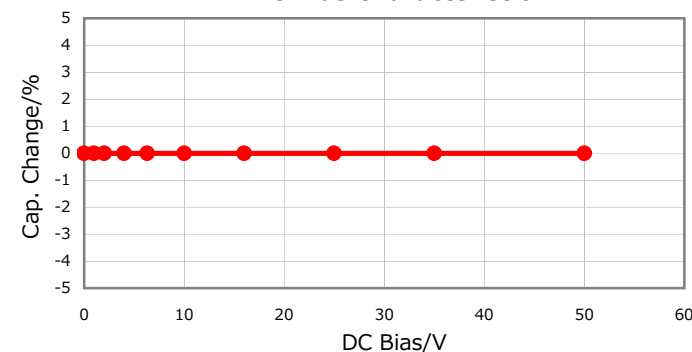
## AEC-Q200

Yes

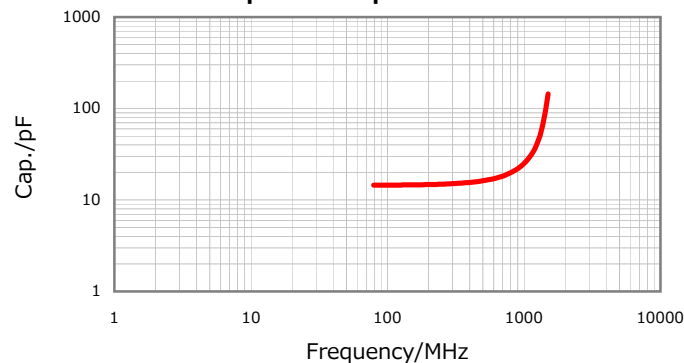
**|Z|, ESR vs. Freq. Characteristics**



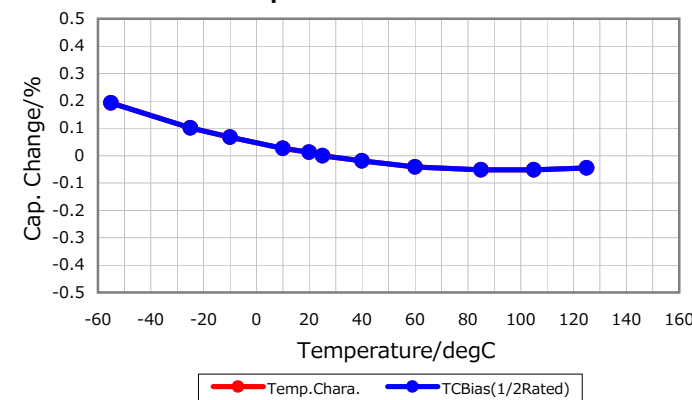
**DC Bias Characteristic**



**Cap. vs. Freq. Characteristic**



**Temperature Characteristic**



Characterization Sheet ( Multilayer Ceramic Chip Capacitors )



All specifications are subject to change without notice.

February 3, 2014